

Plus und Minus bis 100



$66 - 64 = \underline{\quad}$

$85 - 32 = \underline{\quad}$

$32 + 8 = \underline{\quad}$

$37 + 41 = \underline{\quad}$

$82 + 5 = \underline{\quad}$

$58 - 28 = \underline{\quad}$

$64 - 21 = \underline{\quad}$

$66 - 25 = \underline{\quad}$

$33 + 21 = \underline{\quad}$

$59 + 10 = \underline{\quad}$

$16 + 81 = \underline{\quad}$

$69 - 68 = \underline{\quad}$

$87 + 3 = \underline{\quad}$

$65 - 10 = \underline{\quad}$

$63 + 10 = \underline{\quad}$

$15 + 11 = \underline{\quad}$

$49 + 10 = \underline{\quad}$

$66 - 10 = \underline{\quad}$

$94 - 62 = \underline{\quad}$

$69 - 48 = \underline{\quad}$

$53 + 42 = \underline{\quad}$

$79 - 4 = \underline{\quad}$

$38 + 10 = \underline{\quad}$

$42 + 48 = \underline{\quad}$

$64 + 22 = \underline{\quad}$

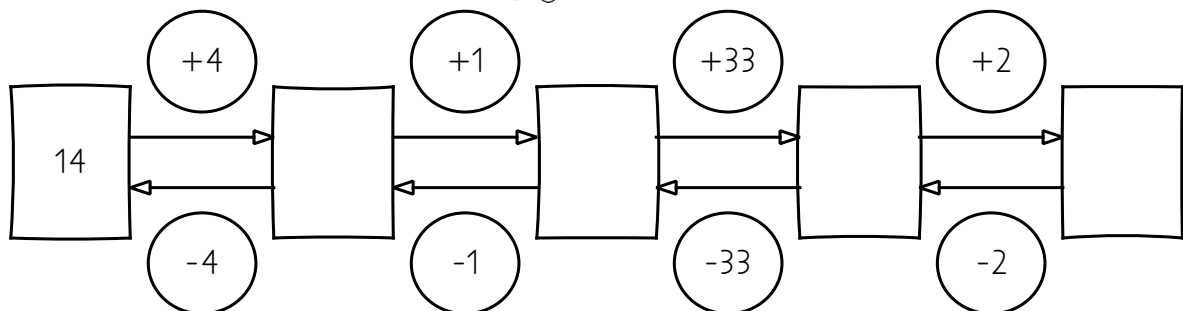
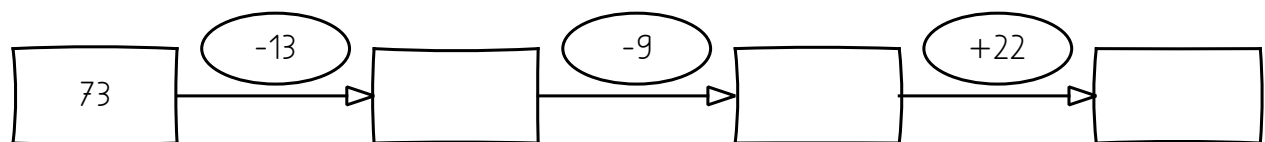
$88 + 11 = \underline{\quad}$

$76 - 72 = \underline{\quad}$

$59 - 10 = \underline{\quad}$

$88 - 15 = \underline{\quad}$

$29 + 61 = \underline{\quad}$



Plus und Minus bis 100



$98 - \text{---} = 66$

$45 + 50 = \text{---}$

$69 + 4 = \text{---}$

$31 + 8 = \text{---}$

$92 - 7 = \text{---}$

$81 - 49 = \text{---}$

$8 + 53 = \text{---}$

$27 + \text{---} = 67$

$97 - 53 = \text{---}$

$\text{---} - 45 = 39$

$83 - \text{---} = 9$

$\text{---} + 46 = 48$

$\text{---} - 4 = 54$

$67 + \text{---} = 72$

$21 + \text{---} = 40$

$41 + 13 = \text{---}$

$\text{---} - 46 = 30$

$57 - \text{---} = 23$

$\text{---} - 48 = 33$

$\text{---} - 2 = 75$

$\text{---} + 13 = 84$

$\text{---} - 29 = 66$

$\text{---} + 25 = 95$

$3 + \text{---} = 7$

$57 + 19 = \text{---}$

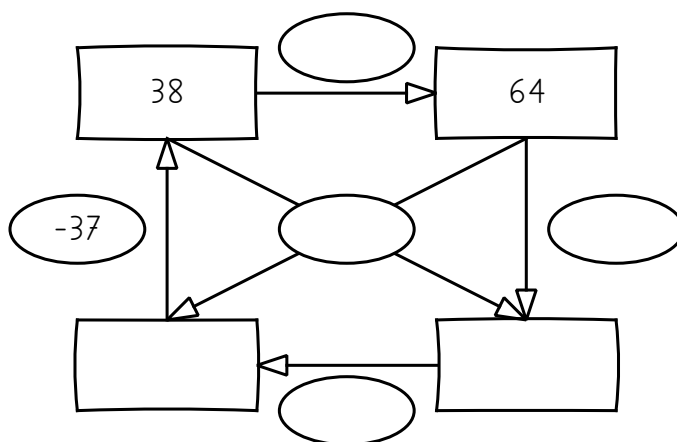
$\text{---} - 48 = 47$

$74 - \text{---} = 12$

$86 + 13 = \text{---}$

$\text{---} + 11 = 54$

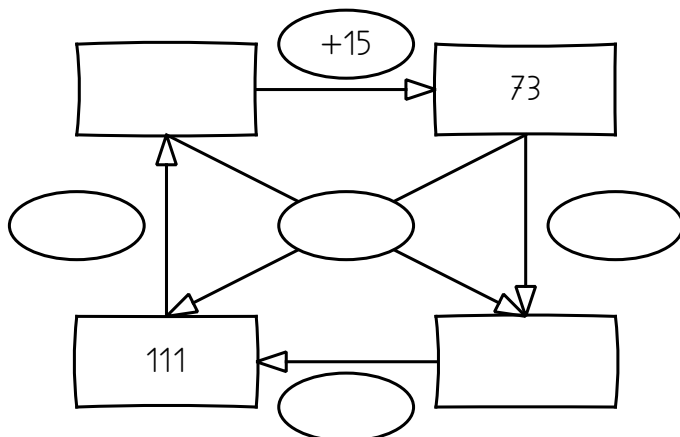
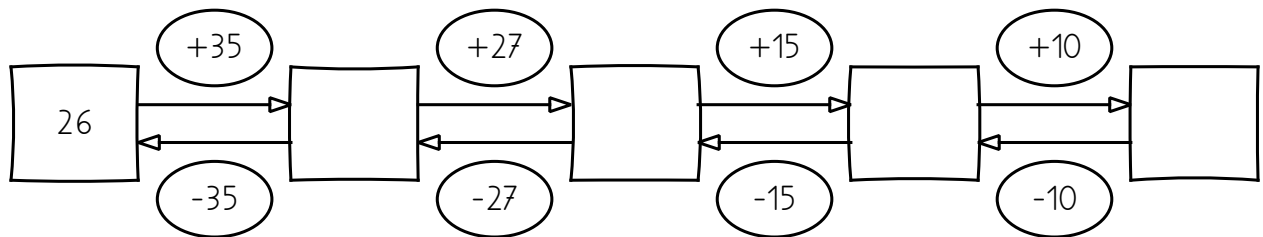
$97 - 82 = \text{---}$



Plus und Minus bis 130



$55 + \underline{\quad} = 107$	$89 + \underline{\quad} = 100$	$90 - \underline{\quad} = 60$
$\underline{\quad} - 84 = 10$	$11 + \underline{\quad} = 97$	$36 + 67 = \underline{\quad}$
$100 - \underline{\quad} = 99$	$66 - \underline{\quad} = 50$	$19 + 42 = \underline{\quad}$
$\underline{\quad} + 10 = 74$	$\underline{\quad} - 23 = 75$	$69 - \underline{\quad} = 26$
$81 - \underline{\quad} = 74$	$19 + 100 = \underline{\quad}$	$\underline{\quad} - 11 = 114$
$\underline{\quad} - 58 = 59$	$\underline{\quad} + 43 = 122$	$\underline{\quad} + 89 = 127$
$\underline{\quad} + 39 = 121$	$122 - \underline{\quad} = 28$	$111 - \underline{\quad} = 69$
$111 - \underline{\quad} = 22$	$26 + \underline{\quad} = 121$	$\underline{\quad} + 38 = 125$
$\underline{\quad} + 65 = 122$	$122 - 57 = \underline{\quad}$	$114 - \underline{\quad} = 79$
$\underline{\quad} - 79 = 35$	$58 + 64 = \underline{\quad}$	$\underline{\quad} - 96 = 19$



Plus und Minus bis 100



$66 - 64 = \underline{\underline{2}}$

$85 - 32 = \underline{\underline{53}}$

$32 + 8 = \underline{\underline{40}}$

$37 + 41 = \underline{\underline{78}}$

$82 + 5 = \underline{\underline{87}}$

$58 - 28 = \underline{\underline{30}}$

$64 - 21 = \underline{\underline{43}}$

$66 - 25 = \underline{\underline{41}}$

$33 + 21 = \underline{\underline{54}}$

$59 + 10 = \underline{\underline{69}}$

$16 + 81 = \underline{\underline{97}}$

$69 - 68 = \underline{\underline{1}}$

$87 + 3 = \underline{\underline{90}}$

$65 - 10 = \underline{\underline{55}}$

$63 + 10 = \underline{\underline{73}}$

$15 + 11 = \underline{\underline{26}}$

$49 + 10 = \underline{\underline{59}}$

$66 - 10 = \underline{\underline{56}}$

$94 - 62 = \underline{\underline{32}}$

$69 - 48 = \underline{\underline{21}}$

$53 + 42 = \underline{\underline{95}}$

$79 - 4 = \underline{\underline{75}}$

$38 + 10 = \underline{\underline{48}}$

$42 + 48 = \underline{\underline{90}}$

$64 + 22 = \underline{\underline{86}}$

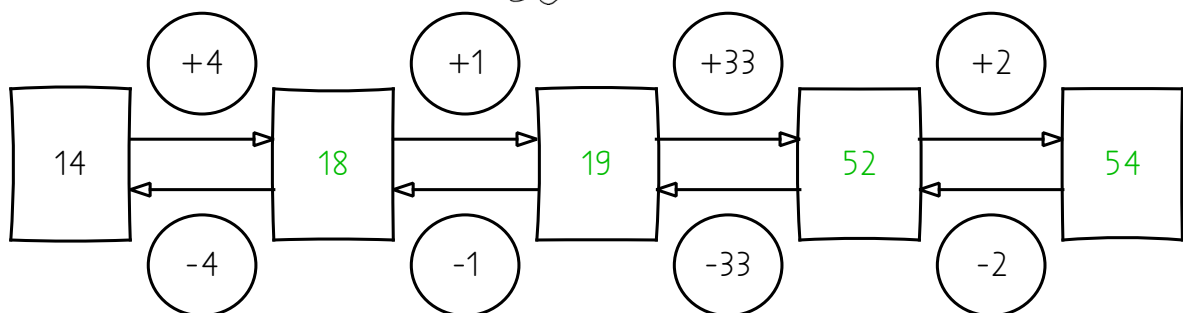
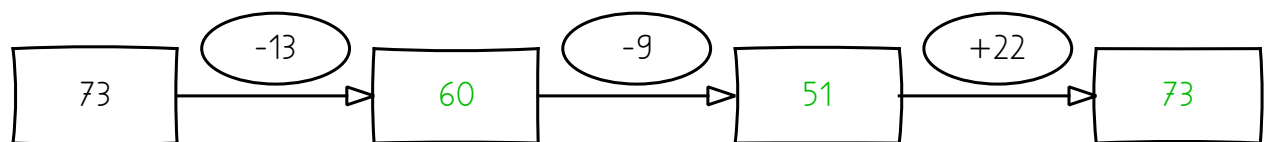
$88 + 11 = \underline{\underline{99}}$

$76 - 72 = \underline{\underline{4}}$

$59 - 10 = \underline{\underline{49}}$

$88 - 15 = \underline{\underline{73}}$

$29 + 61 = \underline{\underline{90}}$



Plus und Minus bis 100



$98 - \underline{32} = 66$

$45 + 50 = \underline{95}$

$69 + 4 = \underline{73}$

$31 + 8 = \underline{39}$

$92 - 7 = \underline{85}$

$81 - 49 = \underline{32}$

$8 + 53 = \underline{61}$

$27 + \underline{40} = 67$

$97 - 53 = \underline{44}$

$\underline{84} - 45 = 39$

$83 - \underline{74} = 9$

$\underline{2} + 46 = 48$

$\underline{58} - 4 = 54$

$67 + \underline{5} = 72$

$21 + \underline{19} = 40$

$41 + 13 = \underline{54}$

$\underline{76} - 46 = 30$

$57 - \underline{34} = 23$

$\underline{81} - 48 = 33$

$\underline{77} - 2 = 75$

$\underline{71} + 13 = 84$

$\underline{95} - 29 = 66$

$\underline{70} + 25 = 95$

$3 + \underline{4} = 7$

$57 + 19 = \underline{76}$

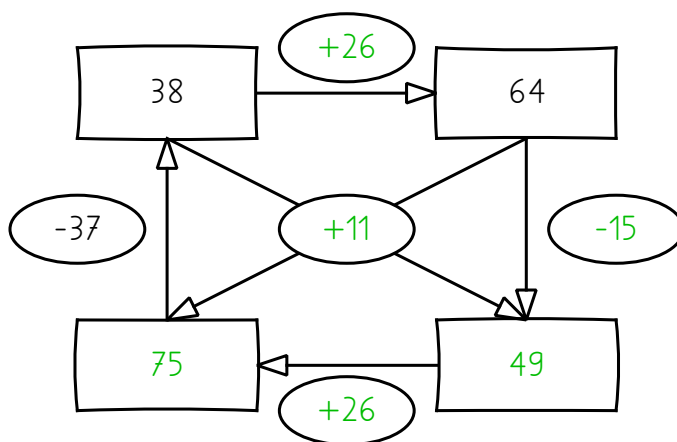
$\underline{95} - 48 = 47$

$74 - \underline{62} = 12$

$86 + 13 = \underline{99}$

$\underline{43} + 11 = 54$

$97 - 82 = \underline{15}$



Plus und Minus bis 130



$55 + \underline{52} = 107$

$89 + \underline{11} = 100$

$90 - \underline{30} = 60$

$\underline{94} - 84 = 10$

$11 + \underline{86} = 97$

$36 + 67 = \underline{103}$

$100 - \underline{1} = 99$

$66 - \underline{16} = 50$

$19 + 42 = \underline{61}$

$\underline{64} + 10 = 74$

$\underline{98} - 23 = 75$

$69 - \underline{43} = 26$

$81 - \underline{7} = 74$

$19 + 100 = \underline{119}$

$\underline{125} - 11 = 114$

$\underline{117} - 58 = 59$

$\underline{79} + 43 = 122$

$\underline{38} + 89 = 127$

$\underline{82} + 39 = 121$

$122 - \underline{94} = 28$

$111 - \underline{42} = 69$

$111 - \underline{89} = 22$

$26 + \underline{95} = 121$

$\underline{87} + 38 = 125$

$\underline{57} + 65 = 122$

$122 - 57 = \underline{65}$

$114 - \underline{35} = 79$

$\underline{114} - 79 = 35$

$58 + 64 = \underline{122}$

$\underline{115} - 96 = 19$

